

# Inserta Products, Inc.

## 90° FLANGE ROTATIONAL CONNECTORS

The **INSERTA® 90° Flange Rotational Connectors** gives one greater flexibility in assembling **INSERTA® Valves and Modular Connectors** on Code U461, Code 61 and Code 62 4-Bolt patterns. The assembly of these components saves space, time and money, eliminates piping leaks, and adds value and integrity to a system.

An **INSERTA® 90° Flange Rotational Connector** and an **INSERTA® 90° Flange Rotational Retaining Adapter** are used to sandwich **INSERTA® Valves and Modular Connectors** together as inline flange ported assemblies.

An **INSERTA® 90° Rotational Connector** and two **INSERTA® 90° Flange Rotational Retaining Adapters** are used to sandwich **INSERTA® Valves and Modular Connectors** together as inline flange ported assemblies with the inlet and outlet ports rotated 90°.

The **INSERTA® 90° Flange Rotational Connectors** are available with the same Code and size ports, or with one reducing port size. They are available with Code 61, Code U461 or Code 62 ports of the same size. The models with different Codes or sizes of ports on the connector are pressure rated based on the lower of the two pressure rated flange connectors. The **INSERTA® Code 61 Flange Rotational Connectors** are used to connect Code 61 to Code 61 4-Bolt flanges. **Code U461 Flange Rotational Retainers** should be specified to connect two Code U461 4-Bolt flanges when their higher-pressure rating is required. Likewise, specify the Code 62 with the Code U461 4-Bolt ports when its higher-pressure rating is required. These connector options further enhance the use and flexibility in assembling **INSERTA® Modular Valves**.

All **INSERTA® 90° Flange Rotational Connectors** are made of steel as standard. Custom connectors and connectors made from other materials can be provided whenever a customer's design dictates a specialized requirement.

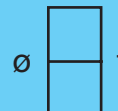


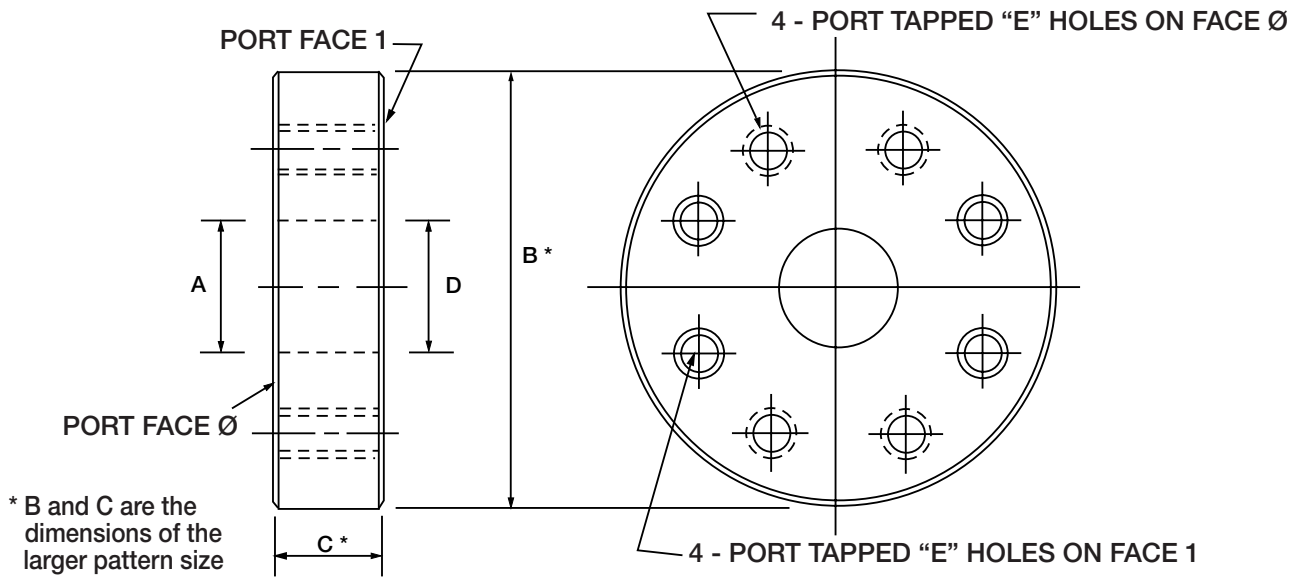
### ORDERING INFORMATION

	<b>IFRC</b>	—	<b>A</b>	—	<b>6116</b>	—	<b>6116</b>	
								PORT FACE 1
INSERTA® 90° FLANGE ROTATIONAL CONNECTOR								PORT FACE Ø
MOUNTING DESIGN CODE								
								<b>PORT FACE PATTERNS</b>
								<b>SIZE CODE U461 CODE 61 CODE 62</b>
								02 U46102
								04 U46104
								06 U46106
								08 U46108 6108 6208
								12 U46112 6112 6212
								16 U46116 6116 6216
								20 U46120 6120 6220
								24 U46124 6124 6224
								32 U46132 6132 6232
								40 6140 6240
								48 6148 6248

**Inserta Products, Inc.**  
Blue Bell, Pa. 19422

**90° FLANGE  
ROTATIONAL  
CONNECTORS**





### CODE 61 & UNIFIED CODE U461

CODE U461 PATTERN SIZE	NOMINAL SIZE	C	CODE 61 PATTERN SIZE	C	ALL FLANGE SIZES			
					A	B	D	E UNC-2B
U46102	1/8	.50	—	—	.13	1.12	.13	8-32
U46104	1/4	.50	—	—	.25	1.38	.25	10-24
U46106	3/8	.50	—	—	.38	1.62	.38	1/4-20
U46108	1/2	1.00	6108	1.00	.50	2.38	.50	5/16-18
U46112	3/4	1.12	6112	1.00	.75	3.00	.75	3/8-16
U46116	1	1.12	6116	1.12	1.00	3.00	1.00	3/8-16
U46120	1 1/4	1.25	6120	1.12	1.25	3.50	1.25	7/16-14
U46124	1 1/2	1.38	6124	1.12	1.50	4.00	1.50	1/2-13
U46132	2	1.50	6132	1.12	2.00	4.50	2.00	1/2-13
—	2 1/2	—	6140	1.12	2.50	5.00	2.50	1/2-13
—	3	—	6148	1.12	3.00	6.00	3.00	5/8-11

### CODE 62

PATTERN SIZE	NOMINAL SIZE	A	B	C	D	E
6208	1/2	.50	2.38	1.00	.50	5/16-18
6212	3/4	.75	3.00	1.12	.75	3/8-16
6216	1	1.00	3.50	1.12	1.00	7/16-14
6220	1 1/4	1.25	4.00	1.25	1.25	1/2-13
6224	1 1/2	1.50	4.50	1.38	1.50	5/8-11
6232	2	2.00	5.50	1.50	2.00	3/4-10
6240	2 1/2	2.50	7.00	1.50	2.50	7/8- 9
6248	3	3.00	8.50	1.62	3.00	1 1/8- 7

The 90° Flange Rotational Connectors are available in the following combinations:

1. Code 61 to Code 61 in the same size or with Port Face 1 reduced one size.
2. Code 62 to Code 62 in the same size or with Port Face 1 reduced one size.
3. Code 62 to Code 61 in the same size or with Port Face 1 reduced one size.
4. Code 62 to Code U461 in the same size or with Port Face 1 reduced one size.
5. Code U461 to Code U461 in the same size or with Port Face 1 reduced one size.

**Inserta Products, Inc.**  
Blue Bell, Pa. 19422

**90° FLANGE  
ROTATIONAL  
CONNECTORS**

