

Inserta Products, Inc.

MODULAR CONNECTORS UNIFIED CODE U61 4-BOLT FLANGE TYPE

The **INSERTA® UNIFIED CODE U61 4-Bolt Modular Connectors**, are used in integrated hydraulic systems in place of welded and threaded pipe fittings. The **UNIFIED CODE U61 4-Bolt** pattern is the same as the CODE 61 but their ports and connecting flange footprints are significantly smaller. Socket Head Cap Screw Fasteners are used with the **INSERTA® UNIFIED CODE U61 4-Bolt Modular Connectors** and the **ADAFLLANGE™ UNIFIED CODE U61 4-Bolt Adapters**. The **INSERTA® UNIFIED CODE U61 4-Bolt Modular Connector**, should be considered whenever the features of the larger CODE 61 and CODE 62 Modular Connectors are not required.

Design-A and Design-B Modular Connector elbows, run tees, branch tees, crosses, and port spacers are held in place by bolts (Socket Head Cap Screws) that extend from Face 1 to Face Ø in the 4-Bolt flange pattern.

Design-A incorporates the 4-Bolt clamp face groove and sealing O-ring on Face Ø and a plain face on Face 1. This design permits the stacking of various **INSERTA®** flange type modules together with a minimum of O-ring seals to virtually eliminate leaks associated with pipe threads. The task is further enhanced because using large wrenches with high torque normally needed to install pipe fittings is no longer required since the **INSERTA® Modular Connectors** bolt together.

Design-B eliminates the 4-Bolt clamp face groove and O-ring on Face Ø for those applications that require this geometry.

Design-C has port faces on all designated faces, and therefore are not held together by thru bolts (as in Designs A & B), but are port faces that other flange type components are fastened.

Standard **INSERTA® UNIFIED CODE U61 4-Bolt Modular Connectors**, have all flange ports of the same size, and are made of steel.



ORDERING INFORMATION

**INSERTA®
MODULAR CONNECTORS
UNIFIED FLANGE TYPE**

CX = CROSS
EL = ELBOW
TR = TEE, RUN
TB = TEE, BRANCH
PS = PORT SPACER (A & B DESIGN)
PC = PORT CONNECTOR (C DESIGN)

MOUNTING DESIGN CODE

A = SEAL GROOVE & O-RING ON FACE Ø WITH 4-BOLT PATTERN THRU HOLES FROM FACE 1 TO FACE Ø
B = PLAIN FACE Ø WITH 4-BOLT PATTERN THRU HOLES FROM FACE 1 TO FACE Ø
C = 4-BOLT FLANGE PORTS ON ALL DESIGNATED FACES

MOUNTING PATTERN

U461 = UNIFIED CODE U61 4-BOLT

ICX -A -U461 24* -N -G* -T*

TEST PORT

T = #4 SAE (7/16-20) or P = 1/4 NPTF
* = 1, 3, 4 and 5 PORT FACE POSITIONS
(See Page 25 for Selection Availability)

GAUGE PORT

G = #6 SAE (9/16-18)
* = 1, 3, 4 and 5 PORT FACE POSITIONS
(See Page 25 for Selection Availability)

SEAL COMPOUND

(OMIT FOR B & C DESIGNS)
N = BUNA N (STANDARD)
V = VITON

PORT SPACER/CONNECTOR

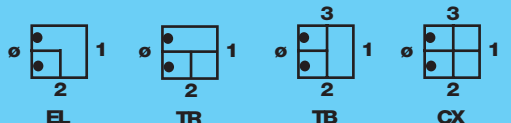
'h1' DIMENSION (1/4 INCREMENTS)
1 = 1/4 THICK
2 = 1/2 THICK
OMIT = FOR NON 1/4 INCREMENT h1 SIZES, THAT IS THE PS = .12 AND THE PC = .62

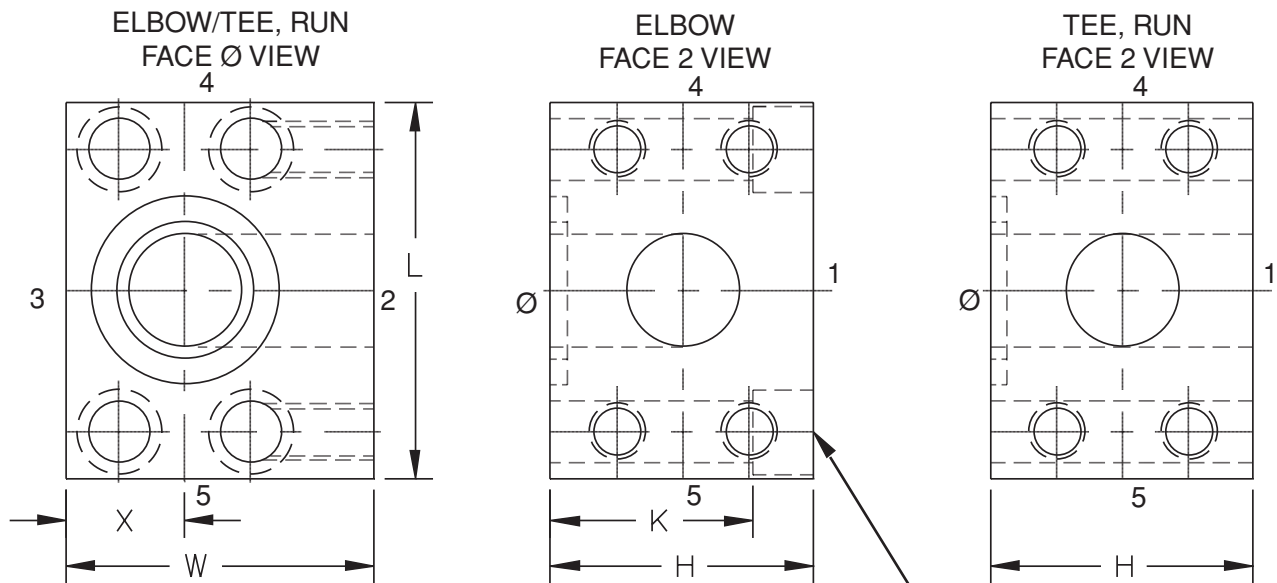
NOMINAL SIZE

02 = 1/8 16 = 1
04 = 1/4 20 = 1 1/4
06 = 3/8 24 = 1 1/2
08 = 1/2 32 = 2
12 = 3/4

Inserta Products, Inc.
Blue Bell, Pa. 19422

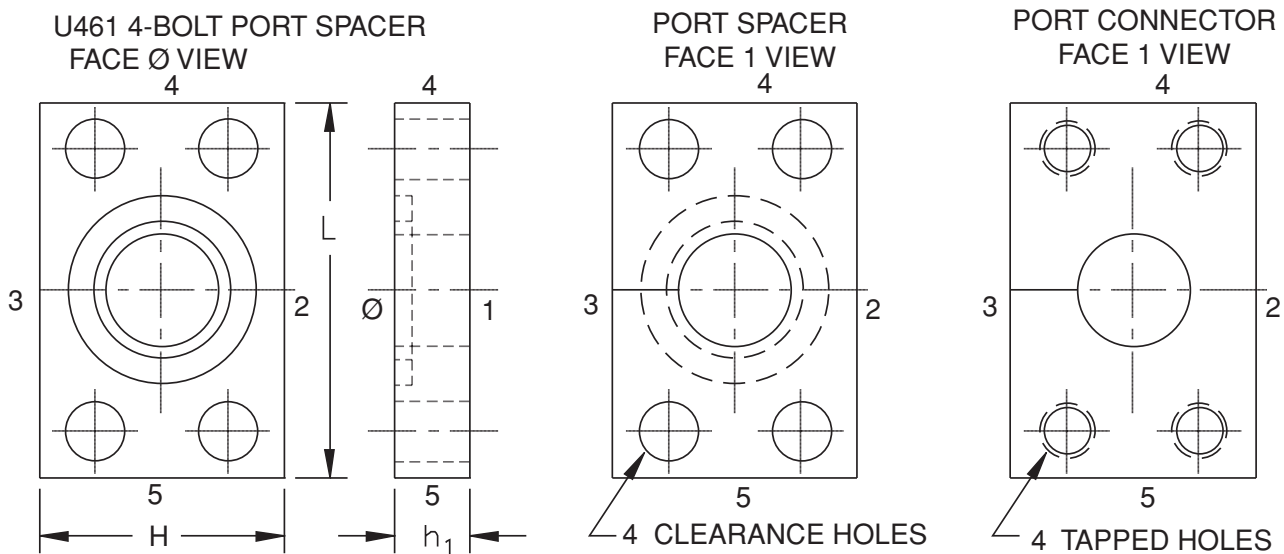
**MODULAR CONNECTORS
CODE U61 4-BOLT
FLANGE TYPE**



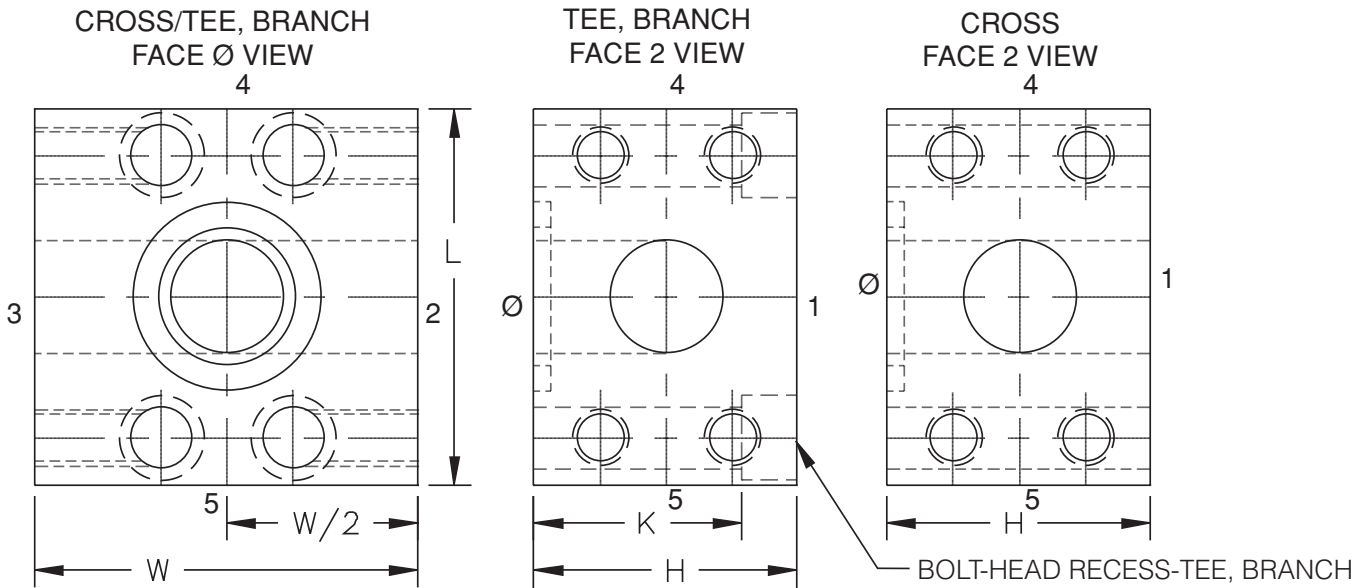


DESIGN A = AS SHOWN on drawings above and the title block schematics below.
 DESIGN B = Eliminates seal groove and O-Ring from Face-Ø.
 DESIGN C = UNIFIED CODE U61 4-Bolt Pattern on all designated faces. Tapped holes without O-Ring groove.
 NOTE: Port Spacers have clearance holes thru. Port Connector has tapped holes thru.

NOMINAL PATTERN SIZE	H	L	W	X	K	h ₁		O-RING SIZE NO.	ELBOW CLAMP FACE BOLT KITS (4 BOLTS)
						PS	PC		
U46102	.62	1.00	1.00	.31	.37	.12/.25	.62	010	IBK-SH4008-32x0.62
U46104	.75	1.25	1.12	.38	.50	.12/.25	.75	011	IBK-SH4010-24x0.87
U46106	.87	1.50	1.38	.44	.62	.12/.25	1.00	014	IBK-SH4025-20x1.00
U46108	1.31	2.12	2.00	.66	1.00	.50	1.25	210	IBK-SH4031-18x1.50
U46112	1.62	2.56	2.38	.81	1.12	.50	1.50	214	IBK-SH4038-16x1.75
U46116	1.87	2.75	2.50	.94	1.38	.50	1.50	219	IBK-SH4038-16x2.00
U46120	2.12	3.12	2.88	1.06	1.66	.50	1.75	222	IBK-SH4044-14x2.50
U46124	2.50	3.69	3.38	1.25	1.94	.50	2.00	225	IBK-SH4050-13x2.75
U46132	3.00	4.00	3.75	1.50	2.44	.50	2.00	228	IBK-SH4050-13x3.25



Inserta Products, Inc. Blue Bell, Pa. 19422	MODULAR CONNECTORS CODE U61 4-BOLT FLANGE TYPE	
---	---	--



DESIGN A = AS SHOWN on drawings above and the title block schematics below.
 DESIGN B = Eliminates seal groove and O-Ring from Face-Ø.
 DESIGN C = UNIFIED CODE U61 4-Bolt Pattern on all designated faces. Tapped holes without O-Ring groove.
 NOTE: Tee Branch has Bolt-Head recesses on Face 1.

NOMINAL PATTERN SIZE	H	L	W	W/2	K	O-RING SIZE NO.	TEE, BRANCH CLAMP FACE BOLT KITS (4 BOLTS)
U46102	.62	1.00	1.25	.62	.37	010	IBK-SH4008-32x0.62
U46104	.75	1.25	1.50	.75	.50	011	IBK-SH4010-24x0.87
U46106	.87	1.50	2.00	1.00	.62	014	IBK-SH4025-20x1.00
U46108	1.31	2.12	2.50	1.25	1.00	210	IBK-SH4031-18x1.50
U46112	1.62	2.56	3.00	1.50	1.12	214	IBK-SH4038-16x1.75
U46116	1.87	2.75	3.12	1.56	1.38	219	IBK-SH4038-16x2.00
U46120	2.12	3.12	3.50	1.75	1.66	222	IBK-SH4044-14x2.50
U46124	2.50	3.69	4.00	2.00	1.94	225	IBK-SH4050-13x2.75
U46132	3.00	4.00	4.37	2.18	2.44	228	IBK-SH4050-13x3.25

GAUGE and TEST PORT AVAILABILITY

The following optional Gauge and Test Ports can be included in the standard Code U61-4 Bolt Modular Connectors.

Gauge Ports, #6 SAE (9/16-18) are available on elbows and branch tees at position 1, on elbows and run tees at position 3, and on all modular connectors size 24 and larger at port face positions 4 and 5.

Test Ports, #4 SAE (7/16-20) and 1/4 NPTF are available on elbows and branch tees at position 1, on elbows and run tees at position 3 and on all modular connectors size 20 and larger at port face positions 4 and 5.

Note: Each port face is limited to one port, i.e. either a Test or Gauge Port.

Inserta Products, Inc. Blue Bell, Pa. 19422	MODULAR CONNECTORS CODE U61 4-BOLT FLANGE TYPE	 EL	 TR	 TB	 CX