

Inserta Products, Inc.

SPECIALTY FLANGE PLATES

INSERTA® has various proprietary Specialty Flange Plates that gives one great flexibility in the assembly of INSERTA® modular valves and connectors. Specialty Flange Plates for use with INSERTA® **Modular Valves and Connectors, 4-Bolt Flange Type** include Seal Plates with seal and optional integrity support ring, Gender Changer plates, Blanking Plates and Blanking Plates with orifice. An example of each of these is shown below:

Seal Plate with Seal and optional Integrity Support Ring*

INSERTA® Seal Plates are made to locate and provide the proper squeeze on the O-Ring to facilitate sealing on the two joining surfaces. An optional Integrity Support Ring can be added to provide structural support for the two joining inner surfaces. It's outer diameter is grooved with radial fluid control orifices to center and improve the O-Ring's loading. This support ring should also be used to eliminate seal damage or loss caused by rapid fluid decompression and/or high line flow forces.

Gender Changer Plate

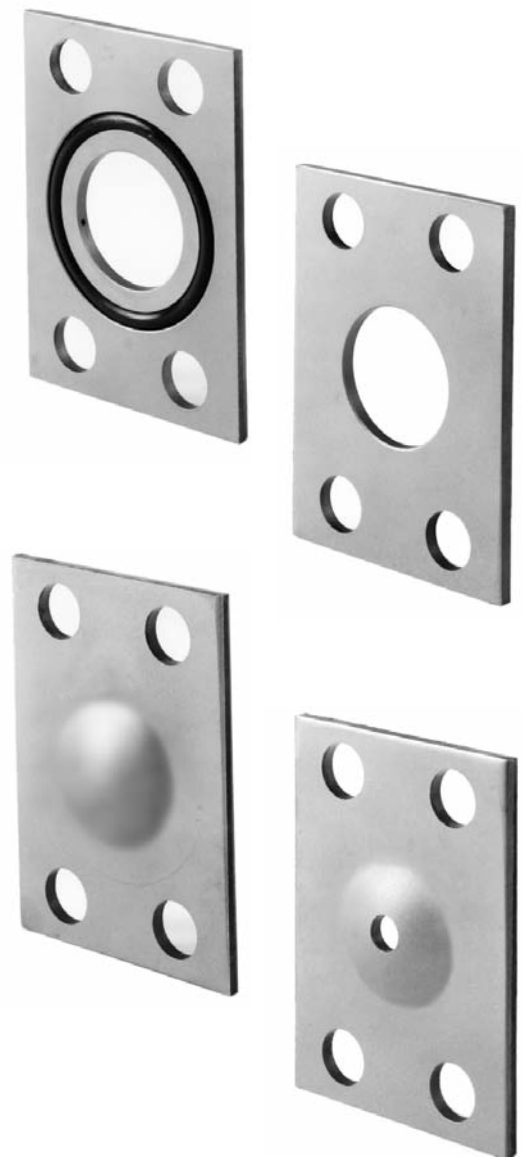
INSERTA® Gender Changer Plates are made with a nominal size center hole. This permits two O-Ring clamp like flange faces to be joined together with their O-Ring's sealing on the opposing Gender Changer plate's surface.

Blanking Plate*

INSERTA® Blanking Plates are made with a dome that induces stresses in the plate that are several times greater than any anticipated fluid's maximum opposing pressure stress. The dome is installed facing the fluid side that is to become pressurized.

Orifice Plate*

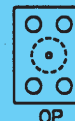
INSERTA® Orifice Plates are Blanking Plates with an orifice in the center of the dome. By facing the dome upstream, this provides a preferred leading center stream sharp edge orifice for fluid flow control.

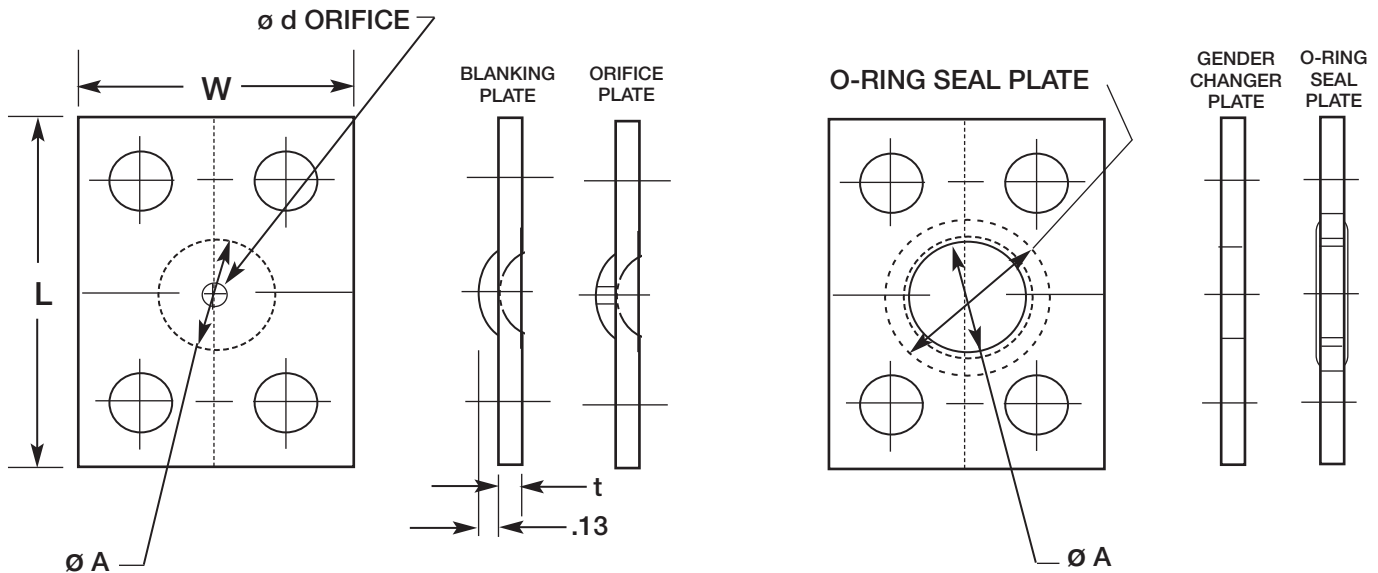


*Patent Pending

Inserta Products, Inc.
Blue Bell, Pa. 19422

**SPECIALTY
FLANGE
PLATES**





PATTERN SIZE	A DIA.	L	W	t	d* DIA.	O-RING SIZE NO.	PATTERN SIZE	A DIA.	L	W	t	d* DIA.	O-RING SIZE NO.			
U46102	1/8	1.00	.62	.05	CUSTOMER SPECIFIED	010	6208	1/2	2.25	1.50	.11	CUSTOMER SPECIFIED	210			
U46104	1/4	1.25	.75	.05		011	6212	3/4	2.75	1.88			214			
U46106	3/8	1.50	.88	.05		014	6216	1	3.00	2.25			219			
6108	1/2	2.12	1.38	.11		210	6220	1 1/4	3.25	2.50			222			
6112	3/4	2.50	1.75			214	6224	1 1/2	4.25	3.00			225			
6116	1	2.75	2.00			219	6232(1)	2	5.00	4.00			.24	228		
6120	1 1/4	3.00	2.25			222	6240(2)	2 1/2	6.75	4.25			.11	N/A	232	
6124	1 1/2	3.75	2.75	.24		225	6248(2)	3	8.50	5.25			.11	N/A	237	
6132(1)	2	4.00	3.25			228	*MIN. ϕ = .016									
6140(2)	2 1/2	4.50	3.50			.11									N/A	232
6148(2)	3	5.25	4.25	.11	N/A	237										

(1) t = .11 for seal plate and gender changer.
 (2) Sizes 6*40 & 6*48 are not available in blanking or orifice plates.

ORDERING INFORMATION

ISP — A — 61 12 — S — N — IS

**INSERTA®
SPECIALTY FLANGE PLATES**

BP = BLANKING PLATE
 OP = ORIFICE PLATE
 GC = GENDER CHANGER
 SP = SEAL PLATE

DESIGN CODE

MOUNTING PATTERN
 U461 = UNIFIED CODE U61 4-BOLT
 61 = SAE CODE 61
 62 = SAE CODE 62

NOMINAL SIZE
 02 = 1/8 08 = 1/2 20 = 1 1/4 40 = 2 1/2
 04 = 1/4 12 = 3/4 24 = 1 1/2 48 = 3
 06 = 3/8 16 = 1 32 = 2

OPTIONS
 IS = INTEGRITY SUPPORT RING
 O*** = ORIFICE SIZE
 FIRST DIGIT - INCHES
 2 & 3 DIGIT ADDS DECIMAL INCREMENTS, I.E. 0.25

SEAL MATERIAL
 N = BUNA N
 V = VITON

SEAL PLATE MATERIAL
 S = STEEL

Inserta Products, Inc.
 Blue Bell, Pa. 19422

**SPECIALTY
FLANGE
PLATES**

