

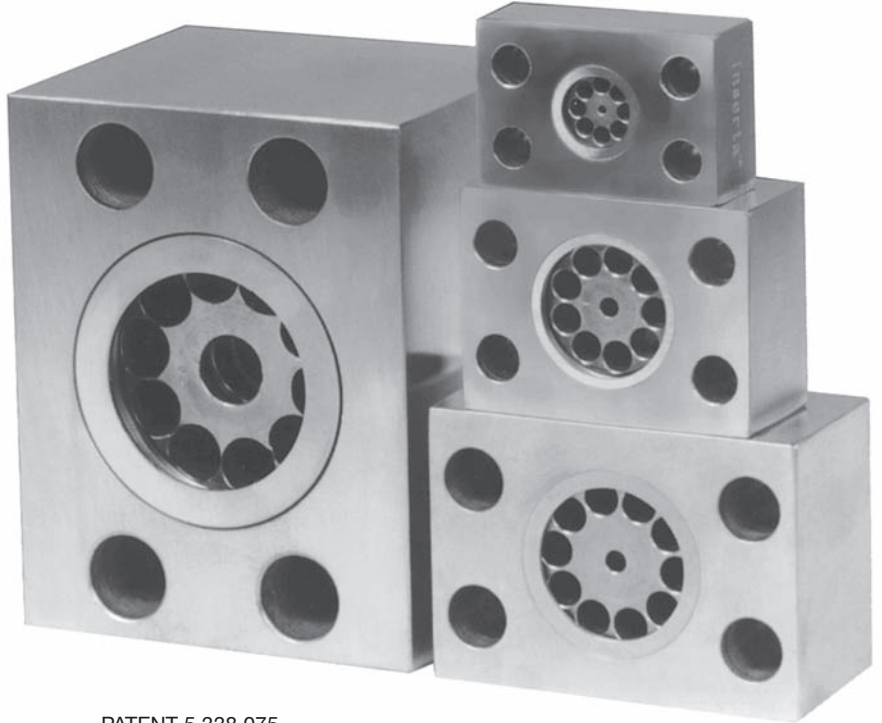
Inserta Products, Inc.

CHECK VALVES 4-BOLT FLANGE TYPE

INSERTA® ICFT Check Valves, Flange Type, provide an effective way to install a Check Valve or Fixed Orifice Flow Control Valve in a piping system that uses SAE 4-Bolt flange ports. These flange bodies include the INSERTA® ICT Thread-In Type Check Valves. The free flow direction is always from the surface with the seal to the surface without the seal. The nominal size INSERTA® ICT Thread-In Type Check Valve, matches the nominal flange size to meet most flow requirements for the given flange size. The INSERTA® ICFT Check Valves, Flange Type, 6132 and 6232 are also available with -24 size Check Valves for those applications that do not require the flow capacity of the -32 size.

For those applications where one requires the free flow from the plain surface to the surface with the seal, the INSERTA® ICF Check Valve Body or INSERTA® ICFS Check Valve Body with Support Member, Flange type, should be used with the INSERTA® ICS Check Valve, Slip-In Type. The INSERTA® ICS Check Valve, Slip-In Type, can be inserted from either end to permit free flow through the body in either direction. The ICF bodies use a larger nominal size INSERTA® ICS Check Valve, and is the check valve of choice in higher flow applications.

INSERTA® ICFT Check Valves, Flange Type, are all steel construction.



PATENT 5,338,075

ORDERING INFORMATION

ICFT - A - 61 32 (24) - N 15 - RØ

INSERTA®
CHECK VALVE
FLANGE TYPE
(w/ICT CHECK)

DESIGN CODE

MOUNTING PATTERN

61 = SAE CODE 61
62 = SAE CODE 62

NOMINAL SIZE

08 = 1/2 24 = 1-1/2
12 = 3/4 32 = 2
16 = 1 40 = 2 1/2
20 = 1 1/4 48 = 3

(USED WHEN ICT
CHECK SIZE IS
SMALLER THAN THE
NOMINAL SIZE)
OMIT WHEN THE SAME

FLOW CONTROL OPTION

R = FIXED RESTRICTIVE ORIFICE
Ø = DIAMETER (INCH) OF THE FIXED
ORIFICE. CUSTOMER MUST SPECIFY
THE ORIFICE DIAMETER.
SEE "RØ" ON DATA SHEET FOR
ORIFICE DATA.

CRACKING PRESSURE

03 = 3 PSI
07 = 7 PSI
15 = 15 PSI (STANDARD)
30 = 30 PSI

SEAL COMPOUND

N = BUNA-N (STANDARD)
V = VITON

Inserta Products, Inc.
Blue Bell, Pa. 19422

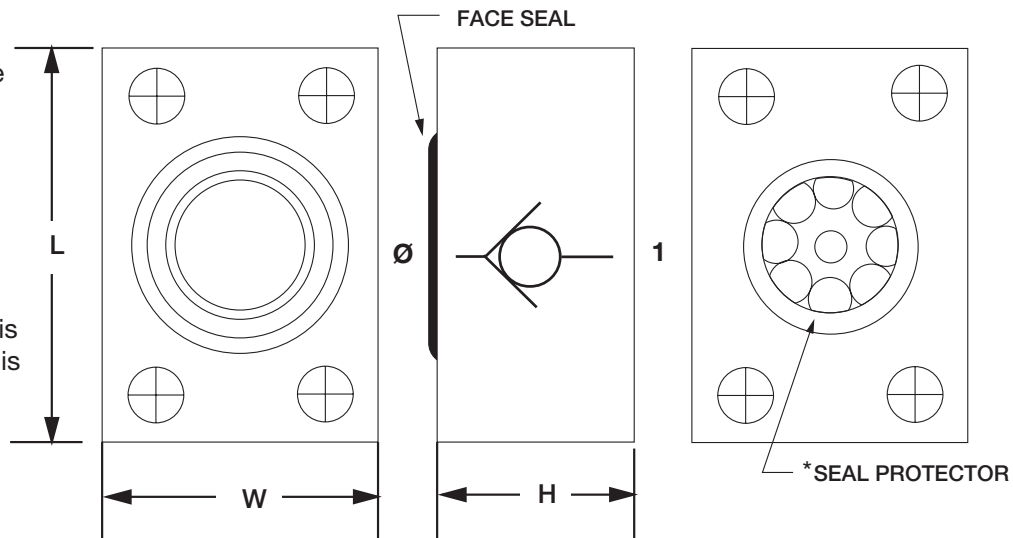
CHECK VALVE
4-BOLT
FLANGE TYPE



*Seal Protector must be retained by the mating standard SAE Face Seal groove's inner support area.

**See Page 17 for Flow Control Option Orifice data.

CAUTION - Care must be exercised when installing check valve to insure the free flow path is correct for the system in which it is installed.



CODE 61

| MOUNTING PATTERN-SIZE | NOMINAL SIZE | NOM. FLOW RATE (GPM) | W | H | L | O-RING SIZE NO. | THREAD-IN CHECK VALVE PART NO. |
|-----------------------|--------------|----------------------|------|------|------|-----------------|--------------------------------|
| 6108 | 1/2 | 12 | 1.37 | 1.00 | 2.12 | 210 | ICT-B-08-*** |
| 6112 | 3/4 | 25 | 1.75 | 1.25 | 2.50 | 214 | ICT-B-12-*** |
| 6116 | 1 | 35 | 2.00 | 1.50 | 2.75 | 219 | ICT-B-16-*** |
| 6120 | 1 1/4 | 63 | 2.25 | 2.00 | 3.00 | 222 | ICT-B-20-*** |
| 6124 | 1 1/2 | 80 | 2.75 | 2.25 | 3.75 | 225 | ICT-B-24-*** |
| 6132 (24) | 2 | 80 | 3.00 | 2.00 | 4.00 | 228 | ICT-B-24-*** |
| 6132 | 2 | 135 | 3.25 | 3.50 | 4.00 | 228 | ICT-B-32-*** |
| 6140 | 2 1/2 | 155 | 3.50 | 3.75 | 4.50 | 232 | ICT-B-40-*** |
| 6148 | 3 | 175 | 4.00 | 4.00 | 5.00 | 237 | ICT-B-48-*** |

CODE 62

| MOUNTING PATTERN-SIZE | NOMINAL SIZE | NOM. FLOW RATE (GPM) | W | H | L | O-RING SIZE NO. | THREAD-IN CHECK VALVE PART NO. |
|-----------------------|--------------|----------------------|------|------|------|-----------------|--------------------------------|
| 6208 | 1/2 | 12 | 1.50 | 1.00 | 2.25 | 210 | ICT-B-08-*** |
| 6212 | 3/4 | 25 | 1.87 | 1.25 | 2.75 | 214 | ICT-B-12-*** |
| 6216 | 1 | 35 | 2.25 | 1.50 | 3.00 | 219 | ICT-B-16-*** |
| 6220 | 1 1/4 | 63 | 2.50 | 2.00 | 3.50 | 222 | ICT-B-20-*** |
| 6224 | 1 1/2 | 80 | 3.00 | 2.25 | 4.25 | 225 | ICT-B-24-*** |
| 6232 (24) | 2 | 80 | 3.50 | 2.00 | 5.00 | 228 | ICT-B-24-*** |
| 6232 | 2 | 135 | 4.00 | 3.50 | 5.00 | 228 | ICT-B-32-*** |
| 6240 | 2 1/2 | 155 | 4.25 | 4.00 | 6.00 | 232 | ICT-B-40-*** |
| 6248 | 3 | 175 | 5.00 | 4.00 | 8.00 | 237 | ICT-B-48-*** |

REFERENCE DATA

NOMINAL FLOW RATINGS ARE WITH A ΔP OF 30 TO 40 PSI. In applications where the valve is subject to sudden shock opening or closing (e.g. Accumulator System), the nominal rated flow must not be exceeded and a minimum cracking pressure of 15 PSI is required. THE PRESSURE RATING OF THESE VALVE ASSEMBLIES MAY BE LIMITED BY THE ICT CHECK INSERT. REFER TO THE ICT DATA SHEET.

TEMPERATURE RANGE: -22 F (-30 C) TO 175 F (80 C)
 OPERATING MEDIUM: HYDRAULIC FLUID
 VISCOSITY RANGE: 50 SSU TO 2000 SSU
 CRACKING PRESSURE: 3 PSI, 7 PSI, 15 PSI
 (STANDARD) & 30 PSI.

| | | |
|--|---|--|
| Inserta Products, Inc. Blue Bell, Pa. 19422 | CHECK VALVE 4-BOLT FLANGE TYPE | |
|--|---|--|