

Inserta Products, Inc.

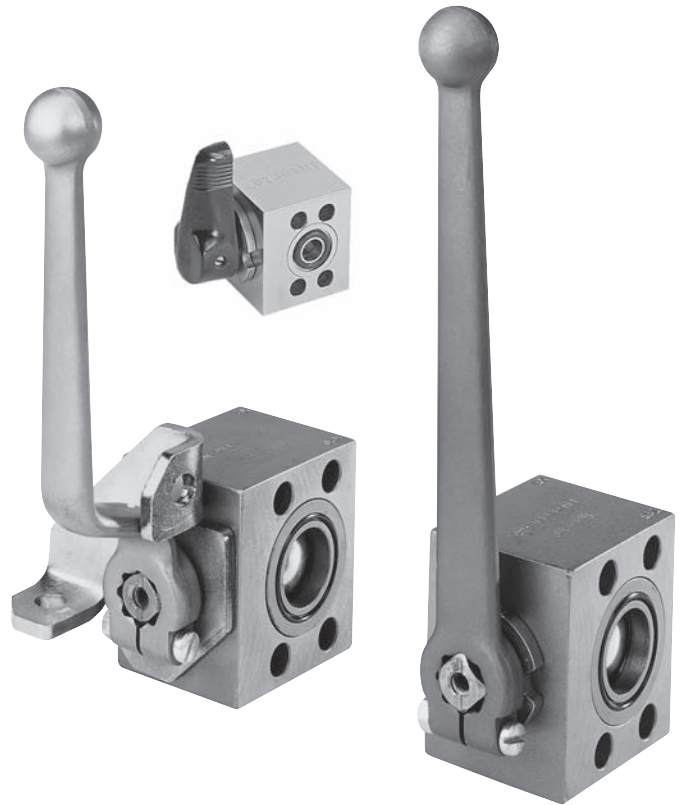
BALL VALVES FLANGE TYPE 2 PORT

INSERTA® Flange type, 2 port, Ball Valves, provide a simple means to install a ball valve in a circuit that uses any of the offered 4-Bolt flange mounting patterns. These ball valves and other **INSERTA®** products can be installed on or between other components such as pumps, motors, actuators, filters, valves and manifolds by simply and effectively bolting them together. These assemblies eliminate threaded pipe connections, and the adjoining components are face sealed with the preferred leak resistant O-ring.

INSERTA® Flange type, 2 port, Ball Valves, have two ball seals, one for each port, i.e. ports 0 and 1. The top of the stem has a slot that indicates the direction of the hole that goes through the two port ball valve element. When the slot is in line with ports 0 and 1 the valve is open and permits flow between these two ports. When the stem is turned 90° the slot indicates that these two ports do not communicate and the valve is closed. When the valve is in the closed position the port that sees the higher pressure pushes the ball against the ball seal of the opposing port side. In each case it is the seal on the side of the lower pressure port that creates the ball's directional control valve seal.

The straight aluminum handle is standard with the flat stop plate. Aluminum and Steel offset handles are also available and are standard for use with the lockable stop plate. Valve handles are packaged separately for mounting by customer. Standard ball valve handle mounting is with port 0 open to port 1 when the handle is turned counterclockwise and the ports are closed when the handle is turned clockwise.

The **CODE 61 4-Bolt** Valves can be mounted and retained in systems that employ **UNIFIED CODE U61 4 or 2-Bolt** Flange Ports and/or Flange Retainers. When used with 2-Bolt systems either of the 2 diagonal bolt holes can be used for mounting and retaining the valve. These ball valves are of steel construction with a hard chrome plated ball.



Patent No. 5,139,041

ORDERING INFORMATION

INSERTA® _____

BALL VALVE _____

FLANGE TYPE 2-PORT _____

DESIGN CODE _____

MOUNTING PATTERN _____

U461 = UNIFIED CODE U61 4-BOLT
61 = CODE 61
62 = CODE 62

NOMINAL SIZE _____

02 = 1/8 12 = 3/4 32 = 2
04 = 1/4 16 = 1 40 = 2 1/2
06 = 3/8 20 = 1 1/4 48 = 3
08 = 1/2 24 = 1 1/2

IBF - B - 6116 - N - D - * - *

STOP PLATE OPTION
OMIT = STANDARD STOP PLATE
L = LOCKABLE STOP PLATE

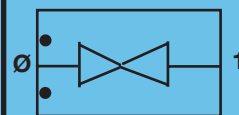
HANDLE OPTION
OS = OFFSET STEEL (STANDARD)
SS = STRAIGHT STEEL
OA = OFFSET ALUMINUM
SA = STRAIGHT ALUMINUM

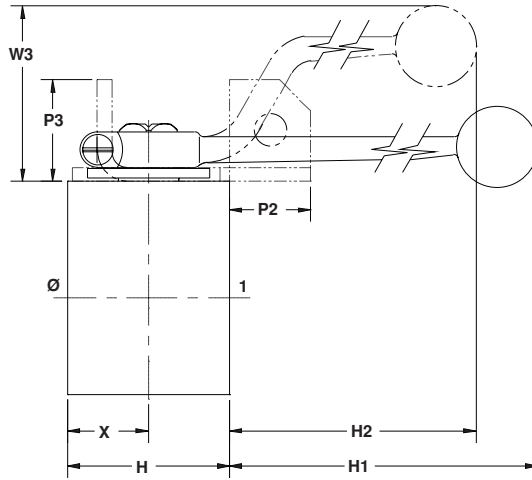
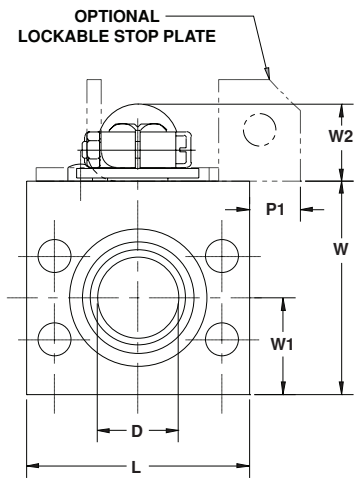
SEAL COMPOUND (BALL)
D = DELRIN (STANDARD)

SEAL COMPOUND (STEM & FACE SEAL)
N = BUNA N (STANDARD)
V = VITON

Inserta Products, Inc.
Blue Bell, Pa. 19422

BALL VALVES
FLANGE TYPE
2 PORT





CODE 61 AND UNIFIED CODE U61 4-BOLT

PATTERN SIZE	NOMINAL SIZE	D	L	W	H	X	W1	H1	H2	W2	W3	P1	P2	P3
U46102	1/8	.13	1.00	.86	.88	.50	.34	*.88	--	*.63	--	--	--	--
U46104	1/4	.25	1.25	1.10	1.13	.62	.50	*.75	--	*.69	--	--	--	--
U46106	3/8	.38	1.50	1.22	1.25	.70	.50	*.70	--	*.69	--	--	--	--
6108	1/2	.50	2.12	2.00	1.50	.80	1.00	5.22	4.43	.73	1.97	.69	1.05	1.12
6112	3/4	.75	2.50	2.25	2.00	.94	1.00	6.83	5.77	.92	2.50	.75	.94	1.25
6116	1	1.00	2.75	2.50	2.00	1.01	1.10	6.90	5.84	.92	2.50	.63	1.01	1.25
6120	1 1/4	1.00	3.00	2.75	2.25	1.13	1.35	6.77	5.71	.92	2.50	.50	.88	1.25
6124	1 1/2	1.25	3.75	3.50	2.75	1.42	1.63	8.17	7.31	.98	2.52	.13	.67	1.25
6132	2	1.50	4.00	4.00	3.50	1.75	1.88	7.76	6.90	.98	2.52	--	.25	1.25
6140	2 1/2	2.00	4.50	4.50	4.00	2.06	2.12	7.56	6.71	.98	2.52	--	.06	1.25
6148	3	2.25	5.25	5.00	4.50	2.17	2.44	7.18	6.32	.98	2.52	--	--	1.25

*Handle is phenolic and without ball end (see photo on Page 4). Lockable stop plate option not available in these sizes.

CODE 62

PATTERN SIZE	NOMINAL SIZE	D	L	W	H	X	W1	H1	H2	W2	W3	P1	P2	P3
6208	1/2	.50	2.25	2.00	1.50	.80	1.00	5.22	4.43	.73	1.97	.63	1.05	1.12
6212	3/4	.75	2.75	2.50	2.00	.94	1.24	6.83	5.77	.92	2.50	.63	.94	1.25
6216	1	1.00	3.00	2.75	2.00	1.03	1.35	6.90	5.84	.92	2.50	.50	1.03	1.25
6220	1 1/4	1.00	3.50	2.75	2.25	1.13	1.35	6.77	5.71	.92	2.50	.25	.88	1.25
6224	1 1/2	1.25	4.25	3.75	2.75	1.42	1.88	8.17	7.31	.98	2.52	--	.67	1.25
6232	2	1.50	5.00	4.38	3.50	1.75	2.25	7.76	6.90	.98	2.52	--	.25	1.25
6240	2 1/2	2.00	6.00	4.75	4.00	2.06	2.38	7.56	6.71	.98	2.52	--	.06	1.25
6248	3	2.25	8.00	5.25	4.50	2.17	2.68	7.18	6.32	.98	2.52	--	--	1.25

Bolt Mounting Patterns conform to the **UNIFIED CODE U61 4-Bolt** standard and/or the **SAE Code 61 and Code 62 4-Bolt** standard J518 JUN93.

Temperature range is -22°F (-30°C) to 175°F (80°C).
Operating medium is hydraulic fluid.

FACE Ø O-RING SIZES are:

02 = 206-006

08 = 018

20 = 125

40 = 232

04 = 011

12 = 022

24 = 131

48 = 237

06 = 014

16 = 026

32 = 228

Inserta Products, Inc.
Blue Bell, Pa. 19422

**BALL VALVE
FLANGE TYPE
2 PORT**

